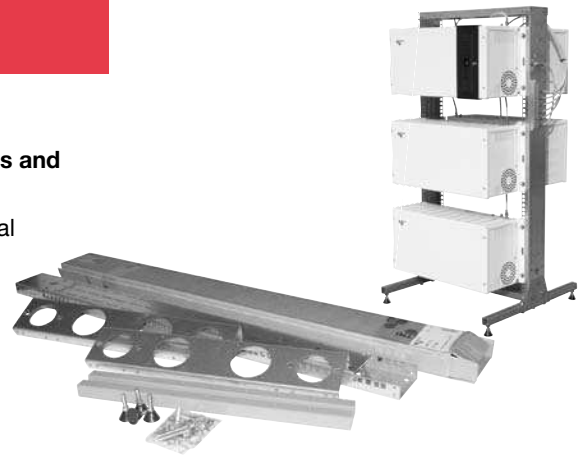


Triax mounting frame TMF 512

Use the possibilities of an open 19" mounting frame providing easy access and excellent overview

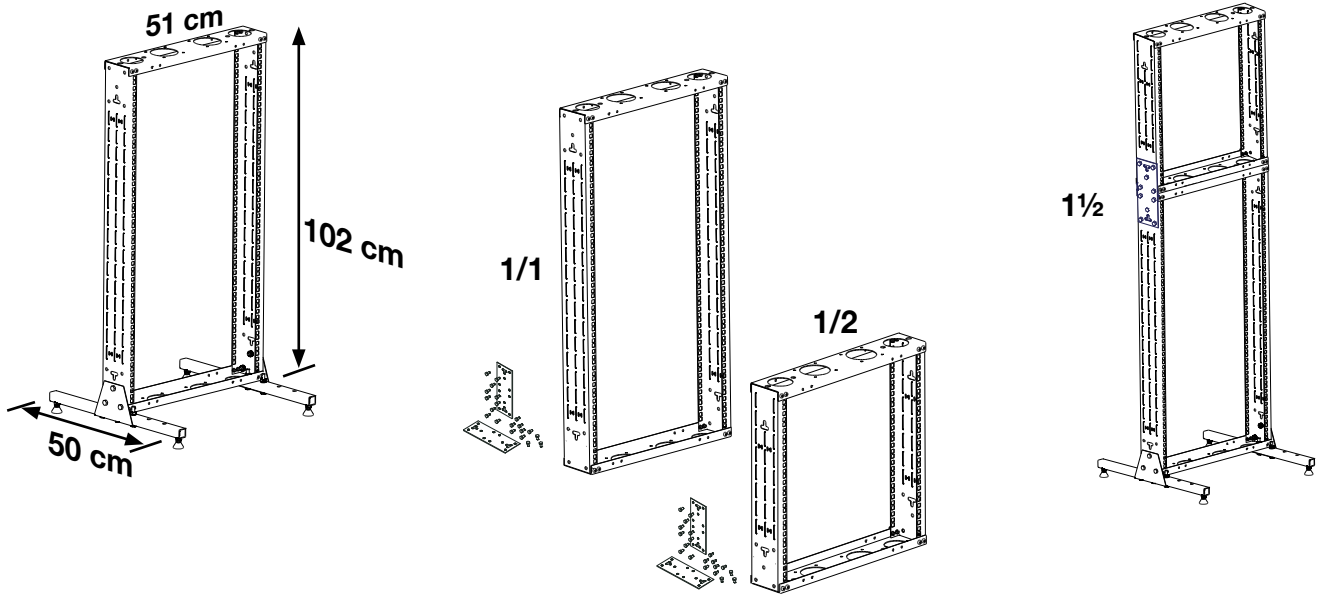
With the open 19" mounting frame Triax offers you a quite new and functional mounting solution for your headend if more units are built together.



Complete TMF 512 pack

Technical data - TMF 512 mounting frame

TYPE		TMF 512 19" basic frame 251512	1/1 - 19" frame with fittings 251513	1/2 - 19" frame with fittings 251514
Part No.		251512	251513	251514
Colour		Galv. steel	Galv. steel	Galv. steel
Height (outer)	mm	1020	1020	510
Width (outer)	mm	510	510	510
Depth (outer)	mm	500	500	500
Units in mountring frame	pcs.	21	21	10
Remarks		Wheels as option	Fittings included	Fittings included



Accessories

TYPE		Set of screws 737040	Brackets for CM 04 unit 737029	4 Wheels with lock 737030	19" Shelf 251496
Part No.		737040	737029	737030	251496
Dimension (H x W x D)	mm		75 x 42 x 24	Ø 74 on wheels	81 x 44.45 x 270
Outer pack	pcs.	1	1	1	1
Remarks		10 nut bushings 10 M6x8 screws 10 plastic washers		4 in a set	19" shelf for satellite receiver for use together with e.g. the TCM 08 or TCH modulator modules

