



Product Info

Aerials | Dishes | Receivers | Headends | Multi switches | Amplifiers | Outlets | Home accessories | Fibre cabinets | Enclosures

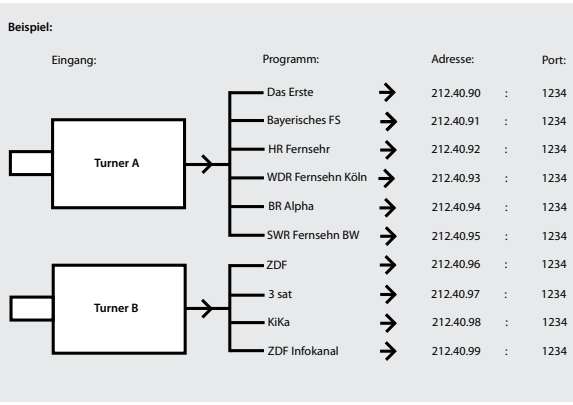
HDTV Satellite Conversion to IPTV

Transcoding from HDTV Digital SAT to IPTV (SPTS)

This cassette mainly converts two digital HDTV satellite signals (DVB-S2) to 16 x SPTS in Unicast or Multicast modulated data streams. Moreover these are the interfaces which make this new cassette multifunctional and universal. It commands an ASI input and an ASI output (ASI = Asynchronous Serial Interface acc. EN 50083-9) as well as a 100 MBit LAN interface (Ethernet). Therewith data streams of the digital signals can be collected or can be fed from external sources. Additional there is a Common Interface (CI). With it encrypted signals (e.g. Pay TV) can be decoded. Up to 12 channels can be decoded with the smartcard of the provider depending on the Conditional Access Module (CAM). The integrated TPS module serves for data processing of the demodulated transport stream: This allows service information to be changed (NIT – Network Information Table) data rates increased (stuffing) and individual programs to be deleted from the transport stream, whereby the remaining channels can then be transmitted with bandwidth optimization. Moreover, the Operator ID can be set.



Type	CSE 1000 SS DVB-S2-SPST
Art. No.	325191
No. of inputs	2
No. of converted transponders	2
Input frequency range	950 – 2150 MHz
DVB-S Modes (QPSK)	1/2, 2/3, 3/4, 5/6, 7/8
DVB-S2 Modes (QPSK)	1/2, 3/5, 2/3, 3/4, 4/5, 5/6, 8/9, 9/10
DVB-S2 Modes (8PSK)	3/5, 2/3, 3/4, 5/6, 8/9, 9/10
Symbol Rate DVB-S (QPSK)	2 – 45 MSymb/s
Symbol Rate DVB-S2 (QPSK)	10 - 30 MSymb/s
Symbol Rate DVB-S2 (8PSK)	10 - 31 MSymb/s
Ethernet Interface	
Standard	100-BASE-T
Data rate	≤ 80 Mbit/s
Protocols	UDP (User Data Protocol) RTP (Real-Time Transport Protocol)
ASI in / ASI out interfaces	•
Common Interface	•
TPS Module	•
Software download	via RS-232



TRIAX A/S

Bjørnkærvej 3 • DK-8783 Hornslyd
+45 76 82 22 00 • +45 75 68 79 66
mail: triax@triax.dk • www.triax.com



TRIAX - your ultimate connection



Product Info

Aerials | Dishes | Receivers | Headends | Multi switches | Amplifiers | Outlets | Home accessories | Fibre cabinets | Enclosures

HDTV Satellite Conversion to IPTV

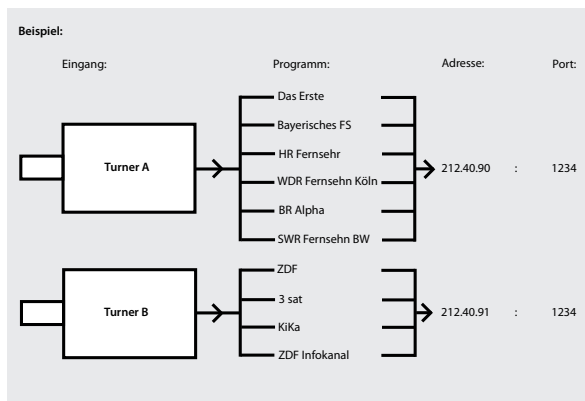
Transcoding from HDTV Digital SAT to IPTV (MPTS)

This cassette mainly converts two digital HDTV satellite signals (DVB-S2) to two Multicast modulated data streams. Moreover these are the interfaces which make this new cassette multifunctional and universal. It commands an ASI input and an ASI output (ASI = Asynchronous Serial Interface acc. EN 50083-9) as well as a 100 MBit LAN interface (Ethernet). Therewith data streams of the digital signals can be collected or can be fed from external sources.

Additional there is a Common Interface (CI). With it encrypted signals (e.g. Pay TV) can be decoded. Up to 12 channels can be decoded with the smartcard of the provider depending on the Conditional Access Module (CAM). The integrated TPS module serves for data processing of the demodulated transport stream: This allows service information to be changed (NIT – Network Information Table) data rates increased (stuffing) and individual programs to be deleted from the transport stream, whereby the remaining channels can then be transmitted with bandwidth optimization. Moreover, the Operator ID can be set.



Type	CCS 1000M DVB-S2 MPTS
Art. No.	325190
No. of inputs	2
No. of converted transponders	2
Input frequency range	950 – 2150 MHz
DVB-S Modes (QPSK)	1/2, 2/3, 3/4, 5/6, 7/8
DVB-S2 Modes (QPSK)	1/2, 3/5, 2/3, 3/4, 4/5, 5/6, 8/9, 9/10
DVB-S2 Modes (8PSK)	3/5, 2/3, 3/4, 5/6, 8/9, 9/10
Symbol Rate DVB-S (QPSK)	2 – 45 MSymb/s
Symbol Rate DVB-S2 (QPSK)	10 – 30 MSymb/s
Symbol Rate DVB-S2 (8PSK)	10 – 31 MSymb/s
Ethernet Interface	
Standard	100-BASE-T
Data rate	≤ 80 Mbit/s
Protocols	UDP (User Data Protocol) RTP (Real-Time Transport Protocol)
ASI in / ASI out interfaces	•
Common Interface	•
TPS Module	•
Software download	via RS-232



TRIAX A/S

Bjørnkærvej 3 • DK-8783 Hornsyld
+45 76 82 22 00 • +45 75 68 79 66
mail: triax@triax.dk • www.triax.com



TRIAX - your ultimate connection



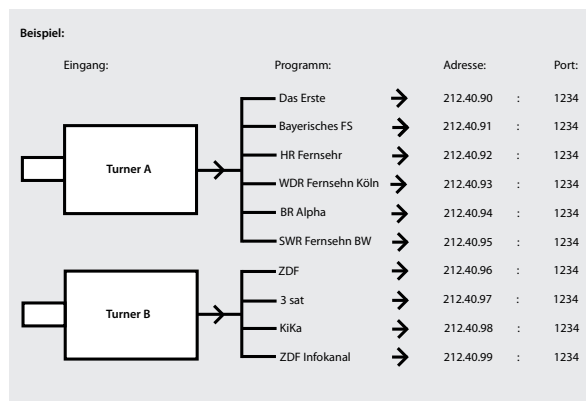
Product Info

Aerials | Dishes | Receivers | Headends | Multi switches | Amplifiers | Outlets | Home accessories | Fibre cabinets | Enclosures

Digital Terrestrial Conversion to IPTV

Transcoding from Digital Terrestrial to IPTV (SPTS)

This cassette mainly converts two digital terrestrial signals (DVB-T) to 16 x SPTS in Unicast or Multicast modulated data streams. Moreover these are the interfaces which make this new cassette multifunctional and universal. It commands an ASI input and an ASI output (ASI = Asynchronous Serial Interface acc. EN 50083-9) as well as a 100 MBit LAN interface (Ethernet). Therewith data streams of the digital signals can be collected or can be fed from external sources. Additional there is a Common Interface (CI). With it encrypted signals (e.g. Pay TV) can be decoded. Up to 12 channels can be decoded with the smartcard of the provider depending on the Conditional Access Module (CAM). The integrated TPS module serves for data processing of the demodulated transport stream: This allows service information to be changed (NIT – Network Information Table) data rates increased (stuffing) and individual programs to be deleted from the transport stream, whereby the remaining channels can then be transmitted with bandwidth optimization. Moreover, the Operator ID can be set.



Type	CCT 1000 ST DVB-T - SPTS
Art. No.	325195
No. of inputs	2
No. of converted transponders	2
Input frequency range	177.5 - 226.5 MHz 474 - 858 MHz
DVB-S Modes (QPSK)	2 k and 8 k
DVB-S2 Modes (QPSK)	according to EN 300 744
Ethernet Interface	
Standard	100-BASE-T
Data rate	≤ 80 Mbit/s
Protocols	UDP (User Data Protocol) RTP (Real-Time Transport Protocol)
ASI in / ASI out interfaces	•
Common Interface	•
TPS Module	•
Software download	via RS-232

TRIAX A/S

Bjørnkærvej 3 • DK-8783 Hornsyld
+45 76 82 22 00 • +45 75 68 79 66
mail: triax@triaux.dk • www.triaux.com



TRIAX - your ultimate connection



Product Info

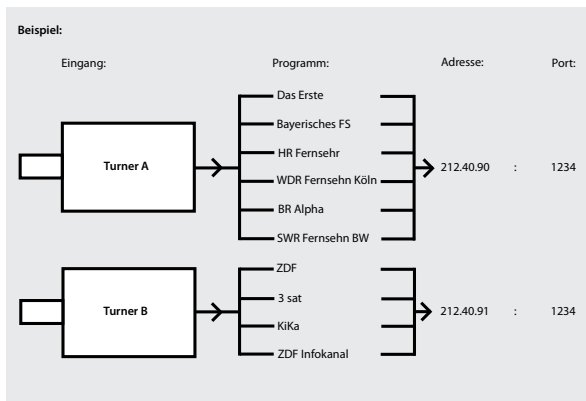
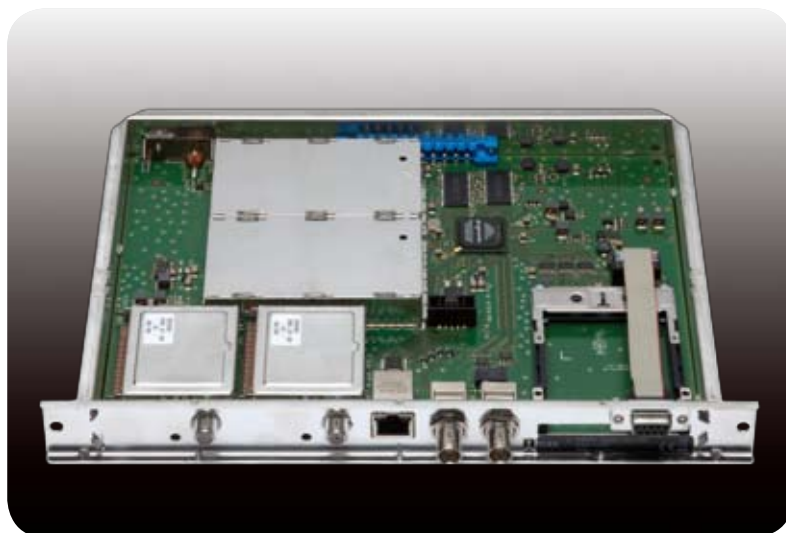
Aerials | Dishes | Receivers | Headends | Multi switches | Amplifiers | Outlets | Home accessories | Fibre cabinets | Enclosures

Digital Terrestrial Conversion to IPTV

Transcoding from Digital Terrestrial to IPTV (MPTS)

This cassette mainly converts two digital terrestrial signals (DVB-T) to two Multicast modulated data streams. Moreover these are the interfaces which make this new cassette multifunctional and universal. It commands an ASI input and an ASI output (ASI = Asynchronous Serial Interface acc. EN 50083-9) as well as a 100 MBit LAN interface (Ethernet). Therewith data streams of the digital signals can be collected or can be fed from external sources.

Additional there is a Common Interface (CI). With it encrypted signals (e.g. Pay TV) can be decoded. Up to 12 channels can be decoded with the smartcard of the provider depending on the Conditional Access Module (CAM). The integrated TPS module serves for data processing of the demodulated transport stream: This allows service information to be changed (NIT – Network Information Table) data rates increased (stuffing) and individual programs to be deleted from the transport stream, whereby the remaining channels can then be transmitted with bandwidth optimization. Moreover, the Operator ID can be set.



Type	CCT 1000M DVB-T - MPTS
Art. No.	325194
No. of inputs	2
No. of converted transponders	2
Input frequency range	177.5 - 226.5 MHz 474 - 858 MHz
DVB-S Modes (QPSK)	2 k and 8 k
DVB-S2 Modes (QPSK)	according to EN 300 744
Ethernet Interface	
Standard	100-BASE-T
Data rate	≤ 80 Mbit/s
Protocols	UDP (User Data Protocol) RTP (Real-Time Transport Protocol)
ASI in / ASI out interfaces	•
Common Interface	•
TPS Module	•
Software download	via RS-232

TRIAX A/S

Bjørnkærvej 3 • DK-8783 Hornslyd
+45 76 82 22 00 • +45 75 68 79 66
mail: triax@triax.dk • www.triax.com



TRIAX - your ultimate connection



Product Info

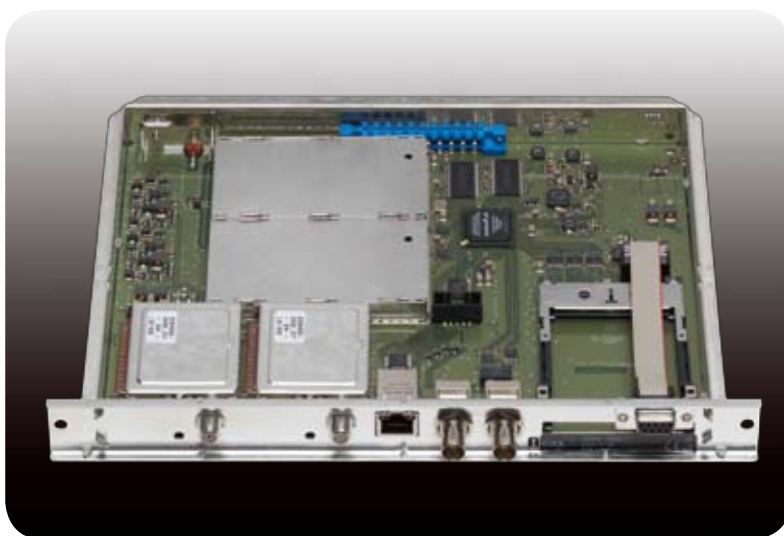
Aerials | Dishes | Receivers | Headends | Multi switches | Amplifiers | Outlets | Home accessories | Fibre cabinets | Enclosures

IPTV Conversion to Digital Cable (MPTS - QAM)

Transmodulation from IPTV to Digital Cable (QAM)

This cassette mainly converts two digital data streams (MPTS) to two digital cable signals (QAM). Moreover these are the interfaces which make this new cassette multifunctional and universal. It commands an ASI input and an ASI output (ASI = Asynchronous Serial Interface acc. EN 50083-9) as well as a 100 MBit LAN interface (Ethernet). Therewith data streams of the digital signals can be collected or can be fed from external sources.

Additional there is a Common Interface (CI). With it encrypted signals (e.g. Pay TV) can be decoded. Up to 12 channels can be decoded with the smartcard of the provider depending on the Conditional Access Module (CAM). The integrated TPS module serves for data processing of the demodulated transport stream: This allows service information to be changed (NIT – Network Information Table) data rates increased (stuffing) and individual programs to be deleted from the transport stream, whereby the remaining channels can then be transmitted with bandwidth optimization. Moreover, the Operator ID can be set.



Type	CCT 1000M MPTS - QAM
Art. No.	325192
No. of inputs	1
Ethernet Interface	
Standard	100-BASE-T
Data rate	≤ 80 Mbit/s
Protocols	UDP (User Data Protocol) RTP (Real-Time Transport Protocol)
Output symbol rate	1 - 7.5 MBaud
Modulation Scheme	QAM 4, 16, 32, 64, 128, 256
ASI in / ASI out interfaces	•
Common Interface	•
TPS Module	•
Software download	via RS-232
Output frequency range	45 - 862 MHz

TRIAX A/S

Bjørnkærvej 3 • DK-8783 Hornslyd
+45 76 82 22 00 • +45 75 68 79 66
mail: triax@triax.dk • www.triax.com



TRIAX - your ultimate connection

Product Info

Aerials | Dishes | Receivers | Headends | Multi switches | Amplifiers | Outlets | Home accessories | Fibre cabinets | Enclosures

IPTV Conversion to Digital Terrestrial (MPTS - COFDM)

Transmodulation from IPTV to Digital Terrestrial (COFDM)

This cassette mainly converts two digital data streams (MPTS) to two digital terrestrial signals (COFDM). Moreover these are the interfaces which make this new cassette multifunctional and universal. It commands an ASI input and an ASI output (ASI = Asynchronous Serial Interface acc. EN 50083-9) as well as a 100 MBit LAN interface (Ethernet). Therewith data streams of the digital signals can be collected or can be fed from external sources.

Additional there is a Common Interface (CI). With it encrypted signals (e.g. Pay TV) can be decoded. Up to 12 channels can be decoded with the smartcard of the provider depending on the Conditional Access Module (CAM). The integrated TPS module serves for data processing of the demodulated transport stream: This allows service information to be changed (NIT – Network Information Table) data rates increased (stuffing) and individual programs to be deleted from the transport stream, whereby the remaining channels can then be transmitted with bandwidth optimization. Moreover, the Operator ID can be set.



Type	CCI 1000 MT MPTS-COFDM
Art. No.	325193
No. of inputs	1
Ethernet Interface	
Standard	100-BASE-T
Data rate	≤ 80 Mbit/s
Protocols	UDP (User Data Protocol) RTP (Real-Time Transport Protocol)
No. of carriers	2 k, 4 k and 8 k
Modulation Scheme	QPSK, 16-QAM or 64-QAM
Guard Interval	1/4, 1/8, 1/16 and 1/32
ASI in / ASI out interfaces	•
Common Interface	•
TPS Module	•
Software download	via RS-232
Output frequency range	42 - 860 MHz

TRIAX A/S

Bjørnkærvej 3 • DK-8783 Hornslyd
+45 76 82 22 00 • +45 75 68 79 66
mail: triax@triax.dk • www.triax.com

